

EasySolar 3 kVA & 5 kVA with Color Control panel

The all-in-one solar power solution

www.victronenergy.com



EasySolar 5 kVA

The all-in-one solar power solution

The EasySolar combines a MPPT solar charge controller, an inverter/charger and AC distribution in one enclosure.

The product is easy to install, with a minimum of wiring.

Color Control panel

Two outstanding functions:

- Prioritizes battery charging by the MPPT charge controller
- Connects to the internet, enabling remote monitoring (VRM website) and remote control.

AC distribution

The AC distribution consists of a RCD (30mA / 63A) and four AC outputs protected by two 10A and two 16A circuit breakers.

An additional 16A output is controlled by the AC input: it will switch on only when AC is available.

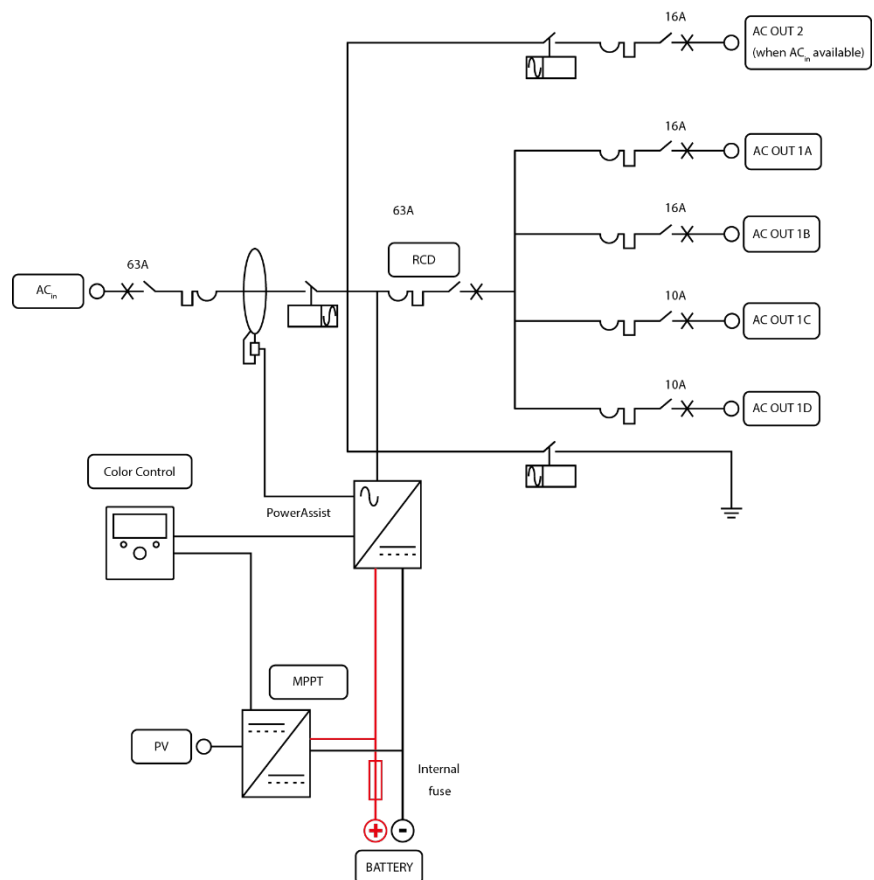
PowerAssist

Unique PowerAssist technology protects the utility or generator supply from being overloaded by adding extra inverter power when needed.

Unique solar application software

Several software programs (Assistants) are available to configure the system for various grid interactive or stand-alone applications. Please see

<http://www.victronenergy.nl/support-and-downloads/software/>



EasySolar	EasySolar 24/3000/70-50 MPPT150/70	EasySolar 48/5000/70-100 MPPT150/100
INVERTER/CHARGER		
Transfer switch	50A	100A
INVERTER		
Input voltage range	19 – 33V	38 – 66V
'Heavy duty' output AC 2	16 A	
Output AC 1a, 1b, 1c, 1d	Output voltage: 230VAC ± 2% Frequency: 50 Hz ± 0,1% (1)	
Cont. output power at 25°C (3)	3000VA / 2400W	5000VA / 4000W
Cont. output power at 40°C	2200W	3700W
Cont. output power at 65°C	1700W	3000W
Peak power	6000W	10000W
Maximum efficiency	94%	95%
Zero load power	20W	35W
Zero load power in search mode	10W	15W
CHARGER		
AC Input	Input voltage range: 187-265 VAC Input frequency: 45 – 65 Hz Power factor: 1	
Charge voltage 'absorption'	28,8V	57,6V
Charge voltage 'float'	27,6V	55,2V
Storage mode	26,4V	52,8V
Charge current	70A	70A
Battery temperature sensor	yes	
Programmable relay (5)	yes	
Protection (2)	a - g	
SOLAR CHARGE CONTROLLER		
Model	MPPT 150/70-MC4	MPPT 150/100-MC4
Maximum output current (4)	70A	100A
Maximum PV power	2000W	5800W
Maximum PV open circuit voltage	150V	
Maximum efficiency	98%	
Self-consumption	10mA	
Charge voltage 'absorption', default setting	28,8V	57,6V
Charge voltage 'float', default setting	27,6V	55,2V
Charge algorithm	multi-stage adaptive	
Temperature compensation	-16 mV / °C	-64 mV / °C
Protection	a – g	
COMMON CHARACTERISTICS		
Operating temp. range	-40 to +65°C (fan assisted cooling)	
Humidity (non-condensing):	max 95%	
ENCLOSURE		
Material & Colour	aluminium (blue RAL 5012)	
Protection category	IP 21	
Battery-connection	Four M8 bolts (2 plus and 2 minus connections)	
PV connection	Two sets of MC4 PV connectors.	Three sets of MC4 PV connectors
230 V AC-connection	Screw terminals 13 mm ² (6 AWG)	
Weight	28kg	48kg
Dimensions (hwxwd)	810 x 258 x 218	877 x 328 x 241
STANDARDS		
Safety	EN 60335-1, EN 60335-2-29, EN 62109-1	
Emission / Immunity	EN 55014-1, EN 55014-2, EN 61000-3-3, EN 61000-6-3, EN 61000-6-2, EN 61000-6-1	
Anti-islanding	See our website	
1) Can be adjusted to 60Hz and to 240V 2) Protection: a. Output short circuit b. Overload c. Battery voltage too high d. Battery voltage too low e. Temperature too high f. 230 VAC on inverter output g. Input voltage ripple too high	3) Non-linear load, crest factor 3:1 4) At 25°C ambient 5) Programmable relay which can be set for general alarm, DC under voltage or genset start signal function	