



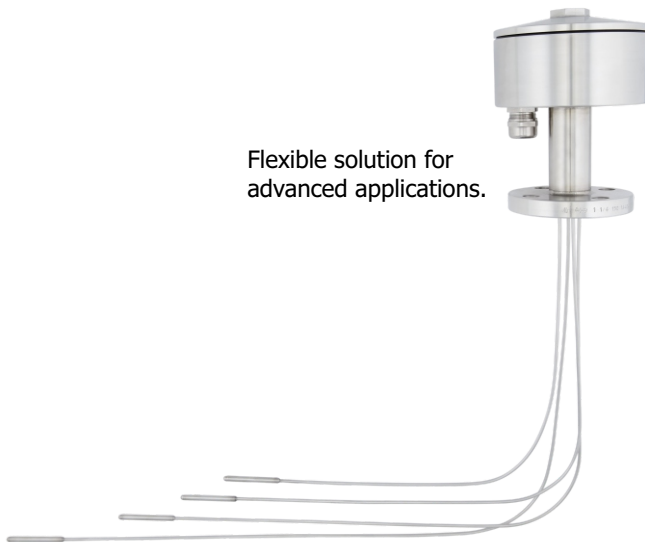
# Marine Connection Box TYPE MCB

## Enclosure for sensors and transmitters



- Marine Connection Box for applications like LPG / LNG cargo tanks and LNG fuel tanks
- Features up to 5 temperature sensors and 5 transmitters
- Housing and flange material are made in stainless steel 1.4401 (AISI 316)
- Ingress protection: IP 67
- Cable gland M25 x 1.5 (cable Ø11 - Ø17mm) or M32 x 1.5 (Ø15 - Ø21)
- Available with different flange connection as option - to be specified upon ordering
- Can be used with the Type NS sensor (up to 35m), with temperature ranging from -200°C to +100°C (-392°F to +212°F)

Flexible solution for advanced applications.



Enclosure for up to 5 sensors and transmitters (here shown with 4 pcs).

Ordering: See ordering form on back page



# ORDERING FORM / Marine Connection Box

# TYPE MCB

## Type MCB

### Connection flange

DN25 PN40 FF .....	A
DN32 PN40 FF .....	B
DN50 PN16 FF .....	C
1" ANSI/ASME B16.5 PSI 300 RF .....	D
Dn32 PN40 RF.....	E
1/2" ANSI/ASME B16.5 PSI 150 RF.....	K
1" ANSI/ASME B16.5 PSI 150 RF.....	L
1-1/4" ANSI/ASME B16.5 PSI 150 RF..	M
2" ANSI/ASME B16.5 PSI 150 RF.....	N

FF = Flat Face  
RF = Raised Face

### Number of sensors

1 sensor .....	1
2 sensors .....	2
3 sensors .....	3
4 sensors .....	4
5 sensors .....	5

1	2	3	4
---	---	---	---

V1.6

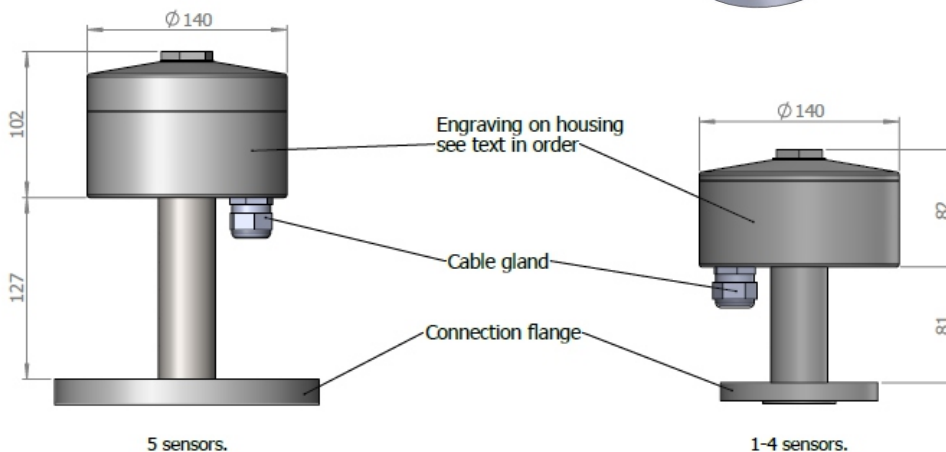
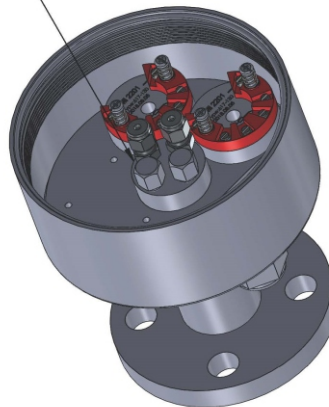
### PreMount

.....	N	.....	Terminals
.....	S	.....	Sensors (only c-type tanks and short sensors)
.....	T	.....	Transmitter

### Cable gland

A	.....	M25x1.5 (Ø11 - Ø17mm)
B	.....	M32x1.5 (Ø15 - Ø21mm)

Connection for up to 5 sensors and blind plugs ( shown example 2 sensors and 2 blind plugs)



Mat: AISI 316 ( 1.4401 ) IP 67

### Head office:

Senmatic A/S  
 Industrivej 8, 5471 Sønderø, Denmark  
 Phone: +45 64 89 22 11  
 dk@senmatic.com - www.senmatic.com