



Indoor Climate Control InClimate

HEATING, VENTILATION AND AIRCONDITION

- Comfort control of indoor climate
- Control of TEMPERATURE – HUMIDITY – CO2 levels
- Controller with setup function
- Digital input for: PIR sensor - Window relay - Extended operation



Technical information:

Rated voltage:	24V AC / DC
Power consumption:	1.0 W
Dimensions:	80 x 80 x 23 mm
P class (En60529):	IP 54
Colour:	White (RAL 9010)
Installation:	Wall-mounted
Weight:	85 g
Certification:	CE
Bus communication:	RS485/Modbus RTU, Data (+A), (-B)

Co2 measurement

Measuring range:	0 - 2000 ppm
Setup function:	600 - 1200 ppm (adjustable)
Accuracy:	±75 ppm at 20°C, ABC self-calibrating
Linear output:	0 - 10 V min. load 10k Ohm

Temperature measurement

Measuring range:	0°C - 50°C
Setup function:	5°C - 30°C (adjustable)
Accuracy:	< ±1°C of full scale
Linear output:	0-10 V min. load 10kOhm

Relative humidity measurement

Measuring range:	0-100% RH
Accuracy:	±5% RH (20% - 95%)
Linear output:	0-10 V min. load 10kOhm (**)

Digital input

Can be programmed for: Pir sensor, window switch or extended operation

Ordering: See ordering form on back page



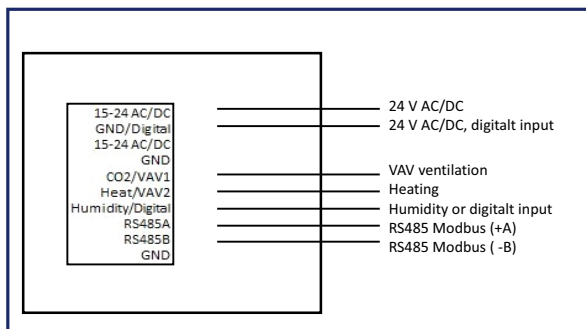
ORDERING FORM / InClimate

Description (*)	Item number	Description (**)	Item number
TEMP-CO2-RH (Digital)....	307-051	TEMP-CO2-RH....	307-001
TEMP-CO2-(Digital).....	307-052	TEMP-CO2.....	307-002
TEMP-RH (Digital).....	307-053	Temp-RH.....	307-003
TEMP-(Digital).....	307-054	Temp.....	307-004
Programming tool	307-009	Blind cover	307-007

(*) 2 x 0-10 V output & 1 digital input

(**) 3 x 0-10 V output

Connection diagram for InClimate with digital input:



Version 1.1

Head office:

Senmatic A/S
Industrivej 8, 5471 Søndersø, Denmark
Phone: +45 64 89 22 11
dk@senmatic.com - www.senmatic.com