



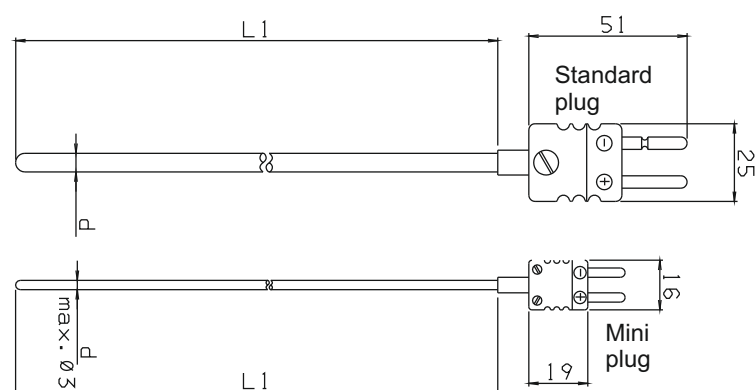
Thermocouple

TYPE MF

Mineral insulated with plug



- Mineral insulated thermocouples - DIN 43721 - are used for reasons such as flexibility, fast responsetime and good resi-stance to vibrations, for measurement of temperatures in inaccessible places and harsh environment.
- Thermocouples only available with 1×TC.
- The measuring junction is standard insulated from Ø2 mm and up. The thermocouples are available with grounded measuring junction. Ø1 mm and Ø1.5 mm only available as grounded or measuring junction.
- The thermocouple is insulated with MgO. The tube is sealed at the tails. This sealing must not be exposed to temperatures over 150°C.
- Jacket material for protective sheath is chosen depending on temperature and environment, see separate data sheet.
- The recommended working temperature is dependent on thermowire and jacket material.
- Mechanical connection: Standard plug or mini plug.



Ordering: See ordering form on back page



ORDERING FORM / THERMO COUPLE TYPE MF

Type MF

Imm.length/L1/mm
 Min. 50 mm -
 max. 4000 mm
 Optional length

Sheath dia./d/mm
 1.0
 1.5
 2.0
 3.0
 4.5
 6.0

Jacket material
 AISI 316
 Inconel
 Hastelloy
 Nicrobell

Tolerance class
 1
 2

Thermoelement - max. temp. for thermowire
 K - NiCr-Ni -40 / +1000°C
 J - Fe-CuNi -40 / +700°C
 N - NiCrSi-NiSi -40 / +1250°C

Number of thermocouples
 1×TC

Electrical connection
 Standard plug
 Mini plug

Connection diagram:

Type	+	-
K	Non-magnetic Green	Magnetic White
J	Magnetic Black	Non-magnetic White
N	Non-magnetic Pink	Magnetic White

Head office:

Senmatic A/S
 Industrivej 8, 5471 Søndersø, Denmark
 Phone: +45 64 89 22 11
 dk@senmatic.com - www.senmatic.com