

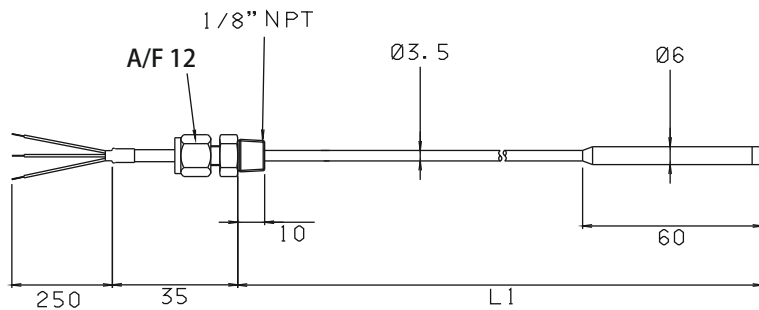


Resistance thermometer TYPE NS

Tank Thermometer



- Roll-up threaded thermometer for measurement of temperatures in pipeline and tank systems, e.g. in oil tankers, as part of a volume measuring system.
- The measuring element is according to IEC 751.
- Protective sheath of Ø3,5 annealed stainless steel, length on request. Sensor tip Ø6×60.
- Wires are available in tefzel (only 3 wire) and teflon (3 and 4 wire).
- Mounting by compression fitting with 1/8"NPT thread.
- Response time (mean values) measured at velocities in:
water w. 0.4 m/s: $\tau_{0.5} = 6.4 \text{ sec.}$ - $\tau_{0.9} = 27 \text{ sec.}$
- Recommended measuring current: max. 2 mA.
- Approvals: DNV-GL, Bureau Veritas, Lloyd's Register of Shipping, DNV-GL EU RO MR.



Tightening of Type-NS compression fitting.

Tighten the compression part with a torque of 16 Nm.

If tightened more times use a torque wrench and tighten with 16 Nm.



EU RO MUTUAL RECOGNITION TYPE APPROVAL CERTIFICATE - Group members are:

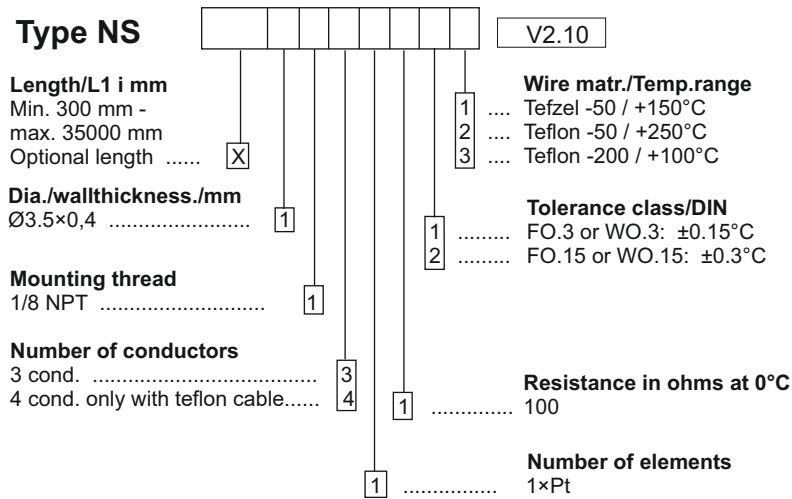


Ordering: See ordering form on back page



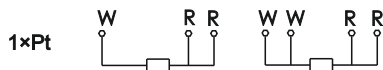
ORDERING FORM / RESISTANCE THERMOMETER TYPE NS

Type NS



*) Not used as standard - only on special request

Connection diagram:



Head office:

Senmatic A/S
Industrivej 8, 5471 Søndersø, Denmark
Phone: +45 64 89 22 11
dk@senmatic.com - www.senmatic.com