



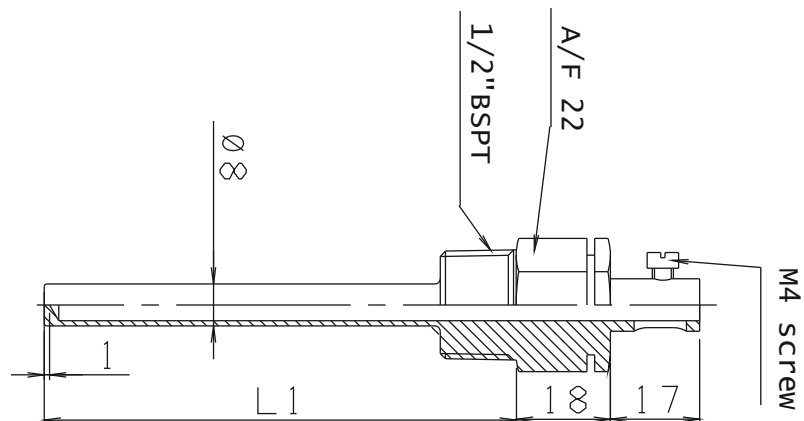
Thermowell

TYPE LOE

With fixed thread and relief screw



- Thermowells are used in containers, tanks and district heating systems for installation/replacement of sensors without having to drain or evacuate the process. The design of the thermowell allows sealing.
- The thermowell is of brass MS63 or stainless steel AISI 316L. Pressure test at 25 bar from outside.
- Is used for wire sensor with dia. $\varnothing 5.8$.
- 1/2"BSPT mounting thread (tapered).
- Rated torque: 30 Nm.

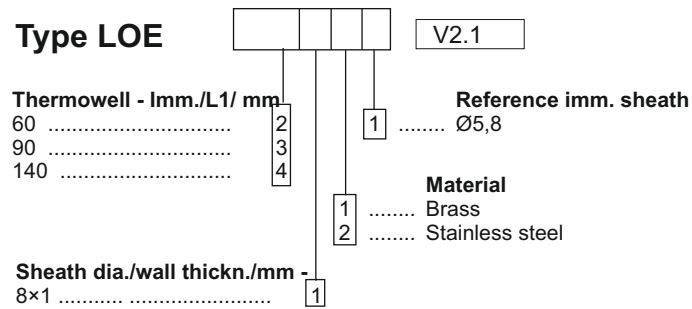


Ordering: See ordering form on back page



ORDERING FORM / THERMO COUPLE TYPE LOE

Type LOE



Head office:

Senmatic A/S
Industrivej 8, 5471 Søndersø, Denmark
Phone: +45 64 89 22 11
dk@senmatic.com - www.senmatic.com